



STEP TO LIFE

Step to Life

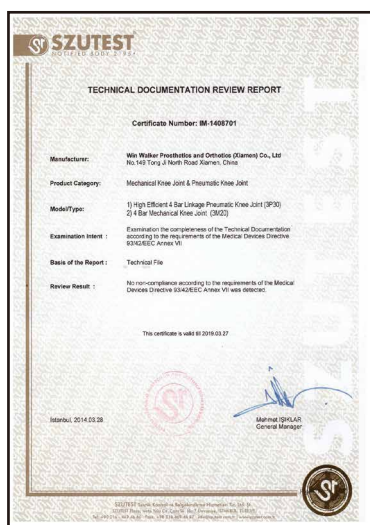
www.win-walker.com

“Win Walker” is a professional Prosthetics and Orthotics company. Our products are used all over the world and receive excellent testimonial. Our goal is to offer excellent prosthetics products for the users. Our “after service” provides prompt response and support to our customers from every part of the world. Win Walker is not only a reliable brand but also highly recognized in the market.

Win Walker is certified for ISO 9001、ISO 13485 and obtained the CE certificates. All of Win Walker products has been tested refer to the CE standard which proves that Win Walker products are constantly meeting the worldwide safety standards as further assurance to all it users.

Win Walker has a professional and strong research team which constantly exploring and mastering new and sophisticated technologies. It is our mission to ensure that our product is safe, reliable and humanized, in order to assist the handicapped in regaining a beautiful life again.

“ Step to Life ” ----Win Walker is your best partner.





3P26

4 Bar-Linkage Pneumatic Knee Joint

- The polycentric design provide high safety needs and smooth walk.
- Clear flexion/extension adjustment valves offers an optimal and convenient adjustment. Different people can adjust their own flexion resistance and extension resistance.
- Large Flexion angle.

Activity Level	Weight	Material	Maximum
3	≈965g	AL	100kg



It can change to different adaptors according to the needs.

- 1.KD Socket Adaptor
- 2.Pyramid
- 3.No adaptors, it can connect directly with the socket



3P26-KD

4 Bar-Linkage Pneumatic Knee Disarticulation Joint

- The knee joint has the Knee Disarticulation adaptor design.
- The design provide high safety needs and smooth walk.
- Clear flexion/extension adjustment valves offers an optimal and convenient adjustment. Different people can adjust their own flexion resistance and extension resistance.

Activity Level	Weight	Material	Maximum
3	≈ 1050g	AL	100kg



3P27

4 Bar-Linkage Pneumatic Knee Joint (High Efficiency)

- The polycentric design provide high safety needs and smooth walk. High Efficiency.
- Clear flexion/extension adjustment valves offers an optimal and convenient adjustment. Different people can adjust their own flexion resistance and extension resistance.
- Large Flexion angle.
- Light weight design.

Activity Level	Weight	Material	Maximum
3	≈800g	AL	100kg



3M11-F

4 Bar Mechanical Knee Joint (Flat Joint Design)

- The flat joint design provide another mounting method.
- High stability and reliability.
- Light weight design
- Extension stop can be adjusted according to your needs

Activity Level	Weight	Material	Maximum
2	≈620g	AL	100kg

3M11

4 Bar Mechanical Knee Joint



- High stability and reliability.
- Light weight design.
- Interior, adjustable extension assist spring.
- Pyramid is removable for different connection option.

Activity Level	Weight	Material	Maximum
2	≈690g	AL	100kg



It can change to different adaptors according to the needs.

- 1.KD Socket Adaptor
- 2.Pyramid
- 3.No adaptors, it can connect directly with the socket

3M11-KD

4 Bar Mechanical Knee Disarticulation Joint



- The knee joint can assemble in different adaptors.
- High stability and reliability.
- Lightweight design.
- Extension can be adjusted according to user's needs.

Activity Level	Weight	Material	Maximum
2	≈750g	AL	100kg



3M10

4 Bar Mechanical Knee Joint

- Light weight design.
- Interior, adjustable extension assist spring.
- Smooth walking. Low expenditure of energy for the patient.
- The movement is the same with natural knee joint.

Activity Level	Weight	Material	Maximum
2	≈620g	AL	100kg

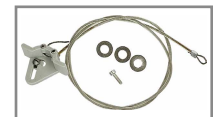
3M10L

4 Bar Mechanical Knee Joint with Lock

- The lock design maximize the stance phase stability.
- Lock may be deactivated for more mobile users.
- Interior, adjustable extension assist spring.



Activity Level	Weight	Material	Maximum
2	≈640g	AL	100kg



SMART-FIT

- Smart-Fit is a tool which making it easier and comfortable to put on a prosthesis.
- It reduce a lot time, effort and limb pain when put on a prosthesis.
- It made by special fabric which is light weight, smooth touch and durable.
- It is washable.
- It is available in different sizes to meet individual need.
- It has size from XS, S, M, L, XL, XXL.

SIZE	circumference (cm)	
	proximal	distal
XXL	81	
XL	71-80	16
L	59-70	15.5
M	46-58	13
S	41-45	13
XS	40	12



3M20

4 Bar Mechanical Knee Joint

- The needle roller bearing design provides smooth walk and longer use life.
- It provide the socket angle adjustment and tube angle adjustment.
- Extension spring adjustment.

Activity Level	Weight	Material	Maximum
2	≈590g	AL	100kg

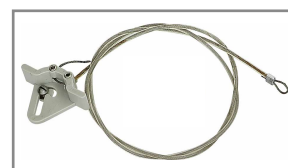
3M11L-HJ

4 Bar Mechanical Hip Disarticulation Joint with Lock

- The lock design provide high stability and reliability.



Activity Level	Weight	Material	Maximum
2	≈1120g	AL	100kg



CF01

Endurance Carbon Foot /w Foot Cover

- The Endurance Carbon Foot is a k3 foot, It is a very reliable, comfort and dynamic carbon foot.
- It enables the users to experience natural gait progression, which brings the comfort to users and less fatigue while walking.
- The users from Low activity to High activity levels,all can feel the dynamic and comfort bring from this carbon foot.
- Split toe design allows users to feel comfortable when walking on different surfaces.

Activity Level:	K3
Categories:	1-5
Size:	22-29
Weight Of Foot Size 27:	720g /W Foot Cover
Height Of Foot Size 27:	170mm /W Foot Cover
Heel Height:	10mm
Maximum Patient Weight	125kg



Category Selection Chart.

Activity/Weight	50~60KG	60~75KG	75~90KG	90~105KG	105~125KG
low	1	1	2	3	4
Moderate	1	2	3	4	5
High	2	3	4	5	

Product available (Size/Category)

Size/Category	1	2	3	4	5
22					
23					
24					
25					
26					
27					
28					
29					

CF02

LP Endurance Carbon Foot /w Foot Cover

- The LP Endurance Carbon Foot is a k3 foot, It is a very reliable, comfort and dynamic carbon foot.
- It offer high levels of safety. The impact level is from Low to High which cover many different activities. This is an idea foot for all activity users.
- It enables the users to experience natural gait progression. it brings the comfort to users and less fatigue while walking.
- Split toe design allows users to feel comfortable when walking on different surfaces.

Activity Level:	K3
Categories:	1-5
Size:	22-29
Weight Of Foot Size 27:	585g /W Foot Cover
Height Of Foot Size 27:	68mm /W Foot Cover
Heel Height:	10mm
Maximum Patient Weight	125kg



Category Selection Chart.

Activity/Weight	50~60KG	60~75KG	75~90KG	90~105KG	105~125KG
low	1	1	2	3	4
Moderate	1	2	3	4	5
High	2	3	4	5	

Product available (Size/Category)

Size/Category	1	2	3	4	5
22					
23					
24					
25					
26					
27					
28					
29					



CF03

Comfort Carbon Foot

- The Comfort Carbon Foot is a K2 foot. It is a very reliable and comfort foot.
- The active heel design together with the full length keel which protect the vulnerable sound limb.
- Light weight design.

Contents In Box:



Category Selection Chart.

Activity/Weight	50~60KG	60~75KG	75~90KG	90~105KG	105~125KG
low	1	1	2	3	4
Moderate	1	2	3	4	5
High	2	3	4	5	

Activity Level:	K2
Categories:	1-5
Size:	22-29
Weight Of Foot Size 27:	700g /W Foot Cover
Height Of Foot Size 27:	140mm /W Foot Cover
Heel Height:	10mm
Maximum Patient Weight	125kg

CF04

LP Comfort Carbon Foot

- The L/P Comfort Carbon Foot is a K2 foot. It is very reliable and comfort foot.
- It is designed for users with long residual limbs.
- Light weight design.



Activity Level:	K2
Categories:	1-5
Size:	22-29
Weight Of Foot Size 27:	565g /W Foot Cover
Height Of Foot Size 27:	68mm /W Foot Cover
Heel Height:	10mm
Maximum Patient Weight	125kg

CF05

Contour Carbon Foot /w Foot Cover

- The Contour Carbon foot is a K3 C shape carbon foot. It is a very reliable and dynamic foot.
- The active heel design together with the full length keel which protect the vulnerable sound limb. It provide a very smooth walking pace.
- Light weight design.
- Split toe design allows users to feel comfortable when walking on different surfaces.

Activity Level:	K3
Categories:	1-5
Size:	22-29
Weight Of Foot Size 27:	700g /W Foot Cover
Height Of Foot Size 27:	180mm /W Foot Cover
Heel Height:	10mm
Maximum Patient Weight	125kg



Category Selection Chart.

Activity/Weight	50~60KG	60~75KG	75~90KG	90~105KG	105~125KG
low	1	1	2	3	4
Moderate	1	2	3	4	5
High	2	3	4	5	

Product available (Size/Category)

Size/Category	1	2	3	4	5
22					
23					
24					
25					
26					
27					
28					
29					

CF06

Prime Foot /w Foot Cover

- Prime Foot is a K1-K2 foot. It is a very reliable and comfort foot.
- Prime Foot provide very good user experience with minimum cost.
- Light weight design.
- CF06C - CF06 Carbon Part
- CF06K - CF06 Foot Cover

Activity Level:	K1-K2
Size:	22-29
Weight Of Foot Size 27:	620g /w Foot Cover
Height Of Foot Size 27:	85mm /w Foot Cover
Heel Height:	10mm
Maximum Patient Weight	125kg

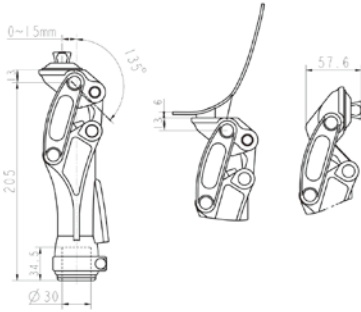


3P26

4 Bar-Linkage Pneumatic Knee Joint

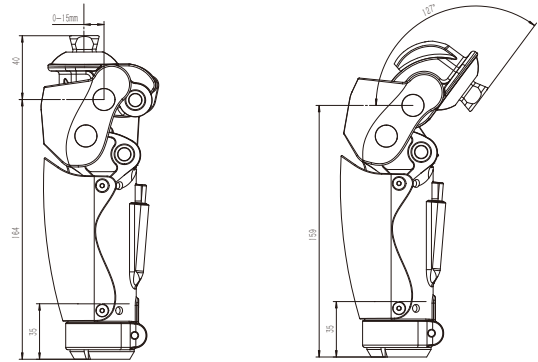
3P26-KD

4 Bar-Linkage Pneumatic Knee Joint



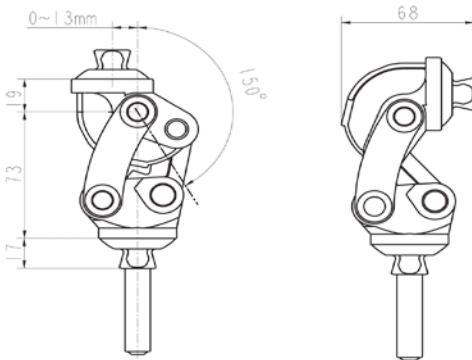
3P27

4 Bar-linkage Pneumatic Knee Joint (High Efficiency)



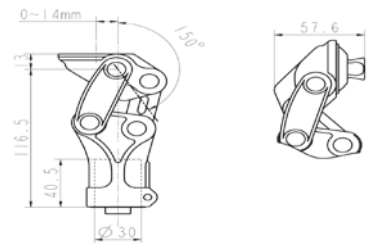
3M20

4 Bar Mechanical Knee Joint



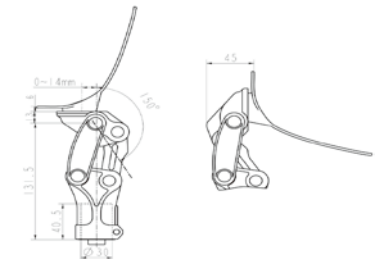
3M11

4 Bar Mechanical Knee Joint



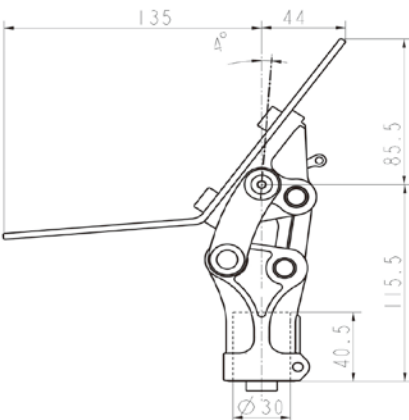
3M11-KD

4 Bar Mechanical Knee Disarticulation Joint



3M11L-HJ

4 Bar Mechanical Hip Disarticulation Joint with Lock

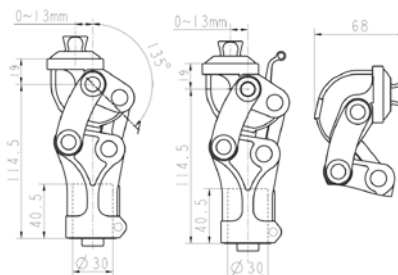


3M10

4 Bar Mechanical Knee Joint

3M10L

4 Bar Mechanical Knee Joint with Lock





A30
4-Hole Connection Plate
Material: A



A20
4 Claws Socket Adaptor with Adjustment Pyramid
Material: A, T



A31
Rotary Female Connection Plate
Material: A, T



A22
BK Socket Tube Adaptor
Material: A, T



A32
Female Connection Plate
Material: A, T



A23
BK Socket Adaptor with Tube
Material: A, T



A33
4 Holes Male Socket Adaptor
Material: A, T



A40S
3 Prong Rotating Base
Material: SS



A33B
4 Holes Male Socket Adaptor (Big Hole)
Material: A, T



A10
Tube Clamp Adaptor
Material: A, T



A34
Alignment Plate For AK
Material: A, T



A12
Angled Tube Adaptor
Material: A, T



A35-1
BK Socket Adaptor 1.0"
A35-1H
BK Socket Adaptor 1.5"
A35-2
BK Socket Adaptor 2.0"
A35-2H
BK Socket Adaptor 2.5"
Material: A, T



A13
Offset Female Alignment Adaptor (xxmm)
Material: A, T



A14
Female Adaptor with Tube
Material: A, T

	<p>A11-35 Double Adaptor (35mm) Material: A, T</p>		<p>1S20B Single Axis Ankle (2 hole, >26cm) Material: A</p>
	<p>A11-45 Double Adaptor (45mm) Material: A, T</p>		<p>1A40 Sach Foot Adaptor Material: A,T</p>
	<p>A11-60 Double Adaptor (60mm) Material: A, T</p>		<p>2T200 Tube (200mm) with Tube Adaptor (Blue, Champagne) 2T300 Tube (300mm) with Tube Adaptor (Blue, Champagne) 2T400 Tube (400mm) with Tube Adaptor (Blue, Champagne) 2FT Aluminum Tube (400mm) (without tube adaptor) Material: A</p>
	<p>1F10 Ankle with Tube Clamp (2 hole) Material: A</p>		<p>FS03 Single Axis Foot with Double Holes</p>
	<p>1S21 Adjustable Single Axis Ankle(2 hole) Material: A</p>	<p>FS05 Sach Foot</p>	

PLEASE NOTE:

1. The above components can choose in different materials: Code A = Aluminum alloy / T = Titanium alloy / SS = Stainless steel
2. When order the components, please put the material at the end.
Eg: To order A30 in Aluminum alloy made, please put A30-A / To order A30 in Titanium alloy made, please put A30-T



Head office

Win Walker Co., Ltd. 4F, No.5 Lane 345 Yang Kuang St., Nei-Hu, Taipei, Taiwan R.O.C.

TEL:886-2-87515678 FAX:886-2-87515656 E-MAIL: export@win-walker.com <http://www.win-walker.com>

China Office (Xiamen):

Win Walker Prosthetics and Orthotics (Xiamen) Co., Ltd. No.149 Tong Ji North Road Xiamen, China

TEL:86-592-5227085, 7368585, 7361788 FAX:86-592-5229285 E-MAIL: sale@win-walker.com <http://www.win-walker.com>